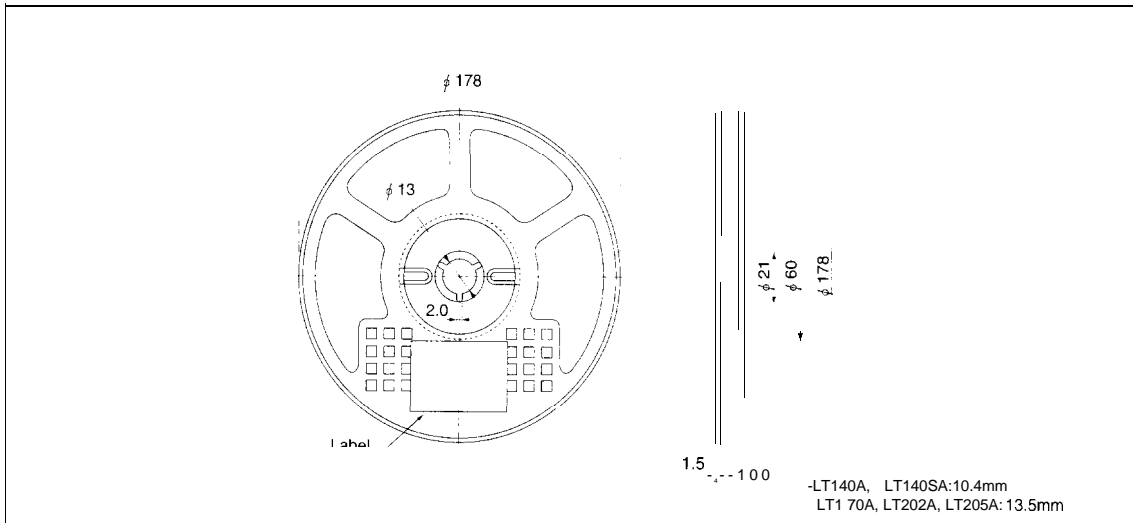


Taping Specifications

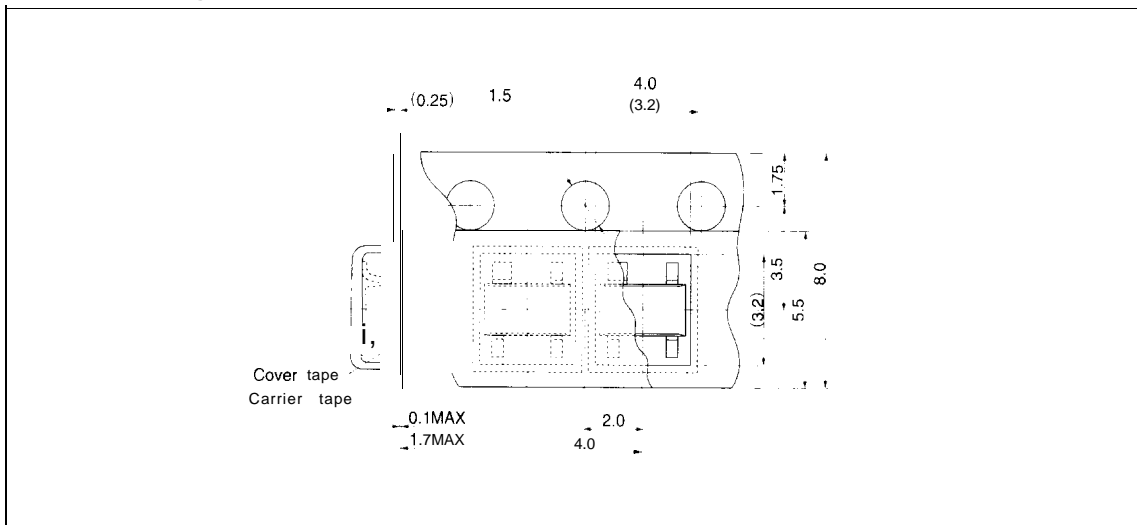
■ Outline Dimensions of Taped Package (Unit : mm)

- Taping specifications conform to EIAJ Standard.
- Standard quantity 3000 pcs./reel
- 1000 pcs./reel (for LT202A and LT205A)

1) Reel Dimensions

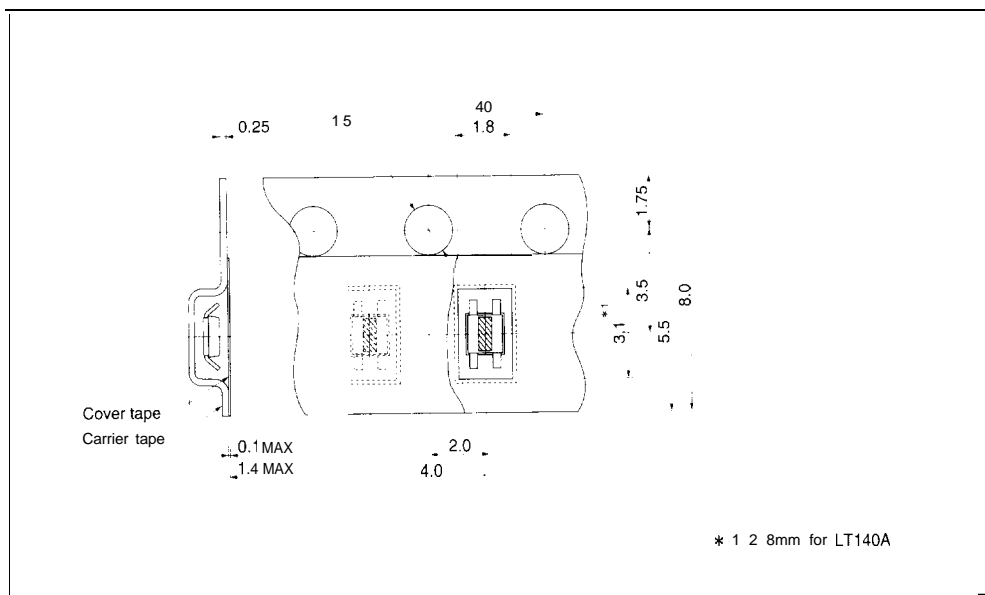


(2) Taped Package Form

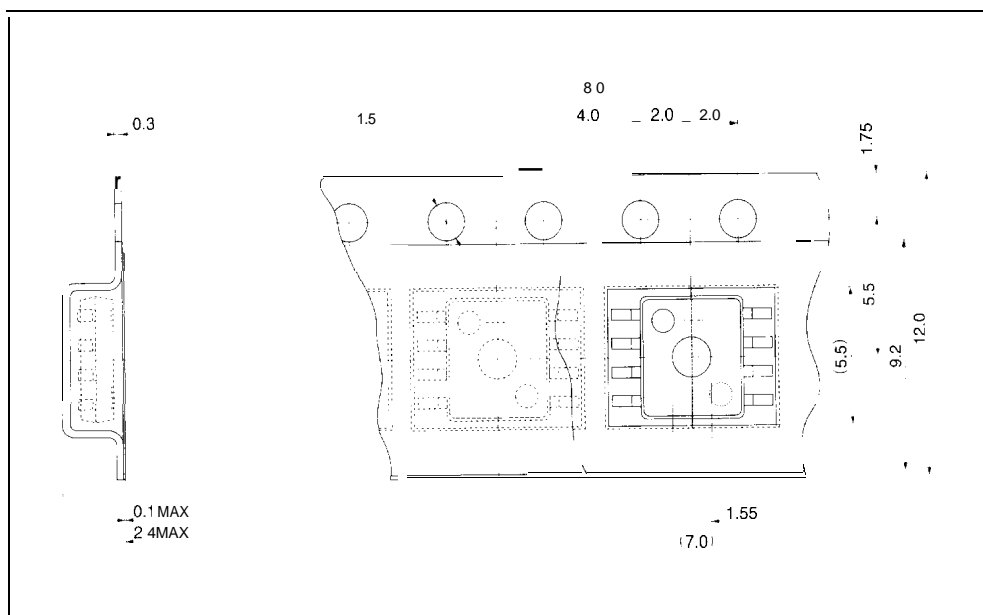


Applied models LT120A, LT135A, LT230A, LT253A, LT251A, LT260A, LT261A, LT262A, LT280A

Taping Specifications



Applied models LT140A, LT140SA



Applied models LT202A

(3) Precautions for Use

- In case of bending a taped package with enclosed devices, the radius of bending should be 30mm or more. If it is less than 30mm, the cover tape may peel.
- Taped package should be stored on the following conditions (The term of validity: 1 year);
Temperature : -5°C to + 55°C, Humidity: less than 90%